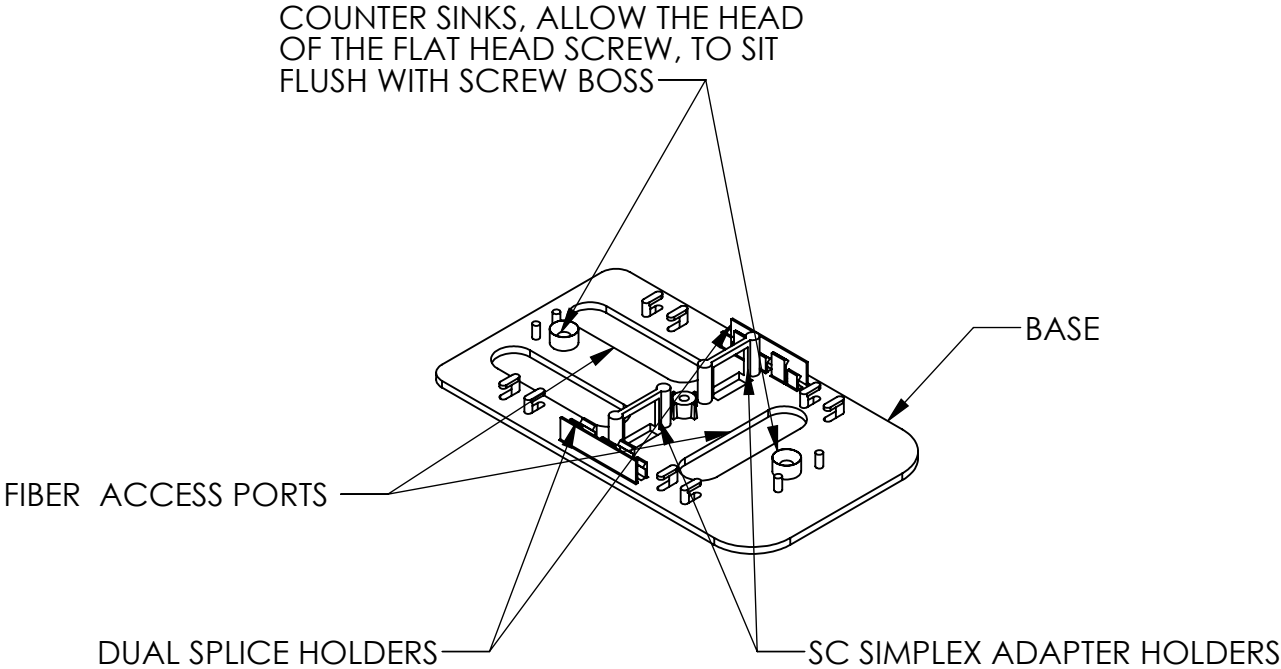
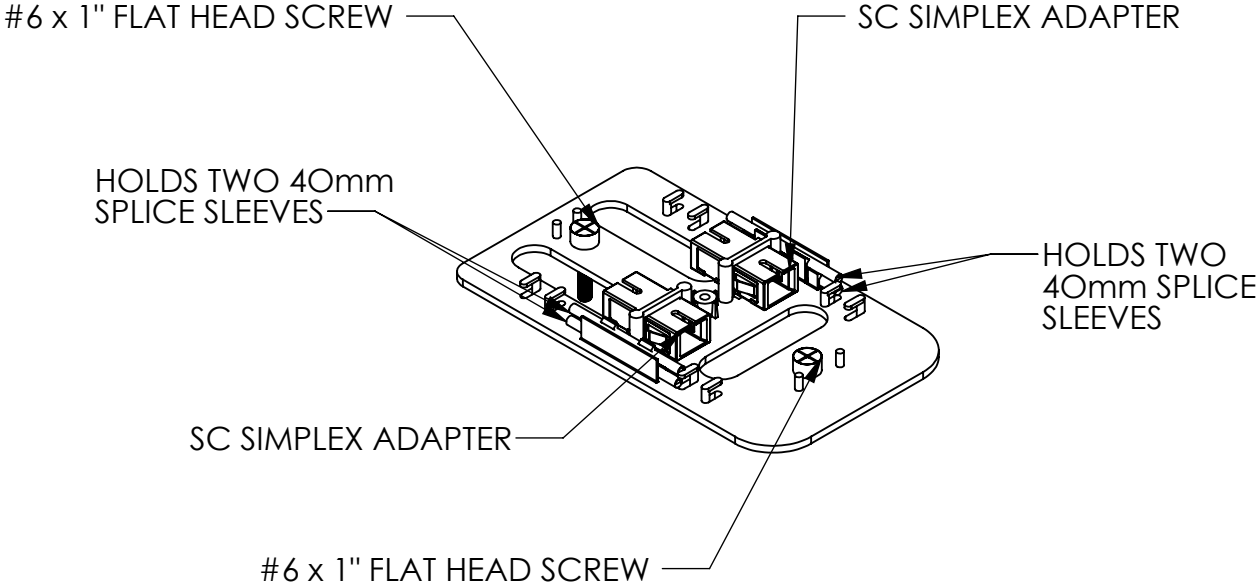


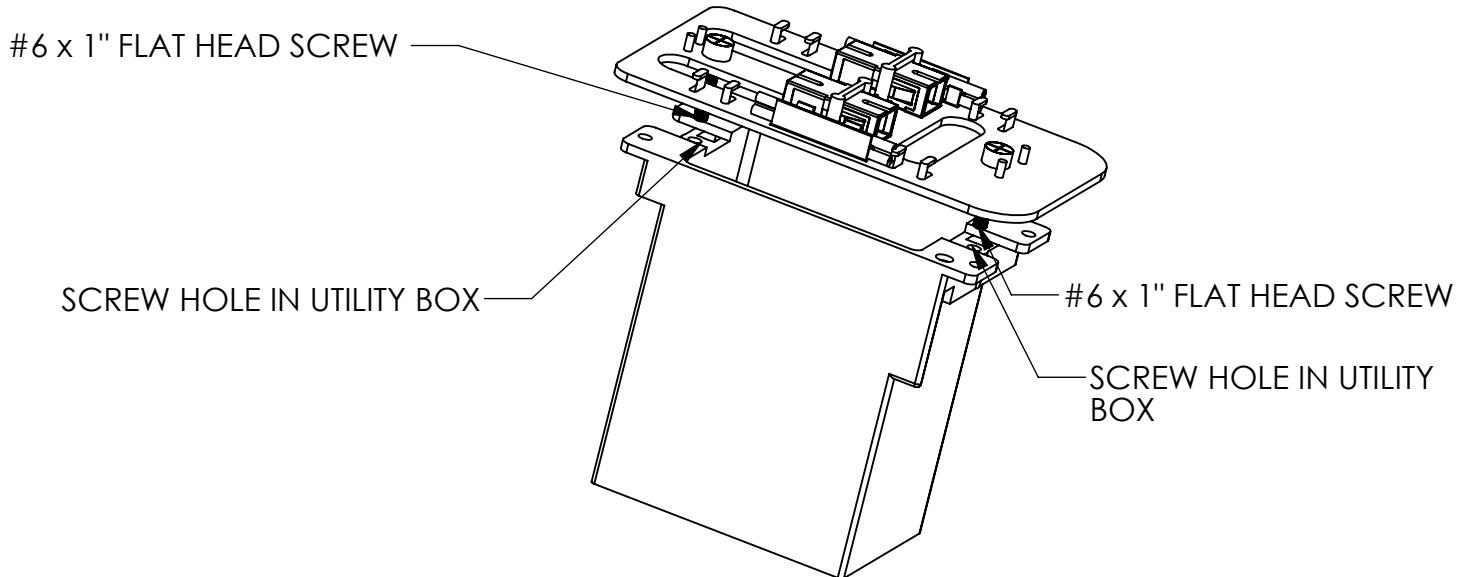
FLUSH MOUNT WALL PLATE ATTACHMENT POINTS



INSERT SC SIMPLEX ADAPTERS & FUSION SPLICES INTO FLUSH MOUNT WALL PLATE

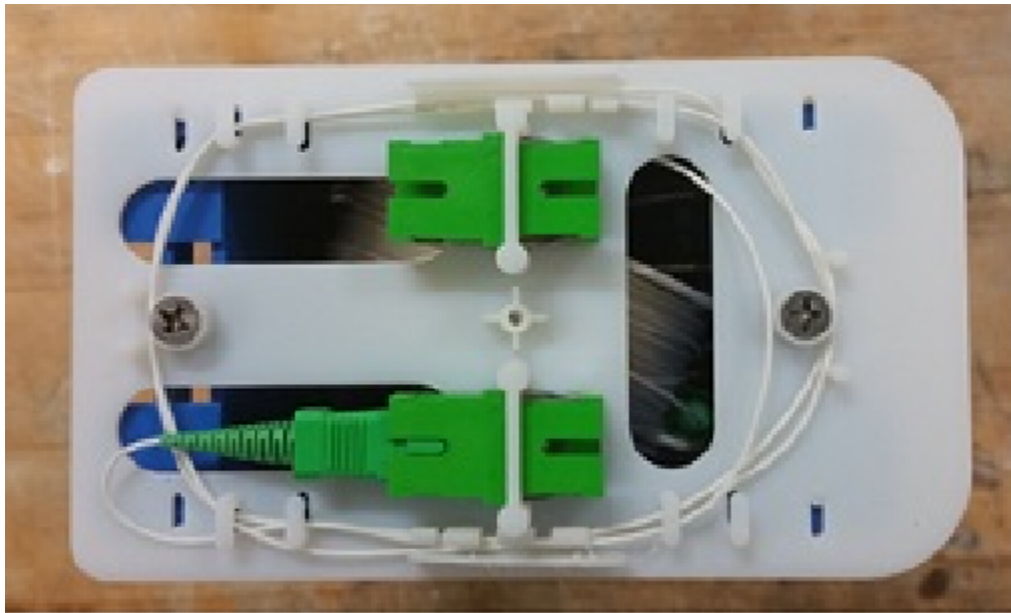


CONNECTING FLUSH MOUNT WALL PLATE TO UTILITY BOX

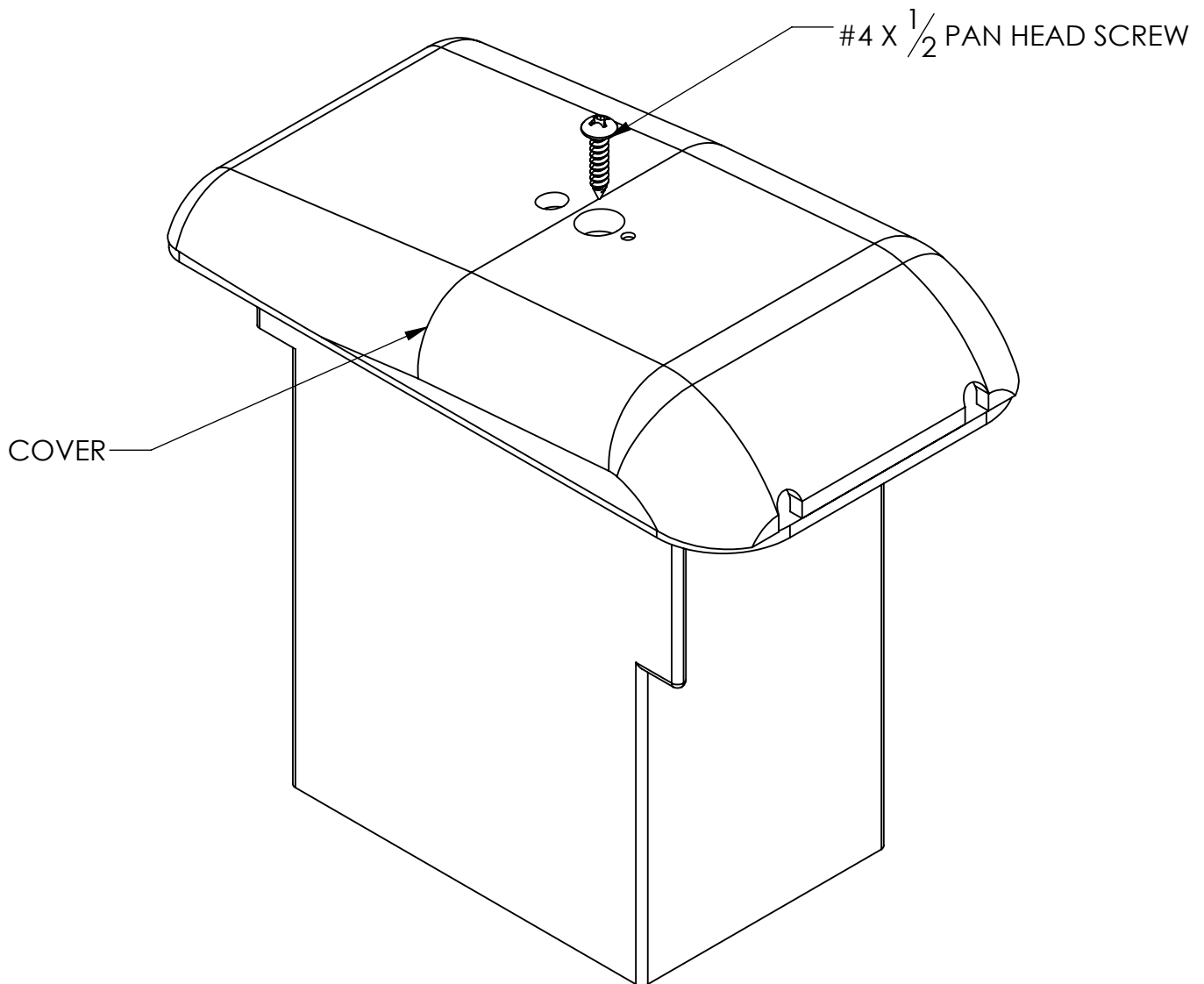


1. THREAD FIBER THROUGH FIBER ACCESS PORT THEN PLACE #6x 1" FLAT HEAD SCREW INTO BASE AND SCREW BASE ONTO UTILITY BOX.

FIBER ROUTED INSIDE FLUSH MOUNT WALL PLATE



ATTACH COVER AND INSERT SCREW



3. ATTACH COVER TO BASE AND INSERT SCREW INTO HOLE AS SHOWN TO FASTEN COVER TO THE BASE.
4. INSERT # 4 PAN HEAD SCREWS AS SHOWN THEN GENTLY TIGHTEN SCREWS